



# Aluminum™

**4' x 10'** **Pre-Built Sections**

## Assembly Instructions



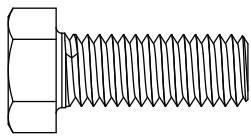
4 Section Roll In Dock Shown

**We're Here To Help!** Call Toll Free **1-888-752-9782**  
Customer Service: Monday - Friday, 8:00 A.M. to 5:00 P.M. C.S.T.

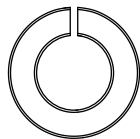
# TABLE OF CONTENTS - ALUMINUM PRE-BUILT KIT

|   |    |
|---|----|
| <b>Floating</b> Dock Layout and Assembly .....                    | 4  |
| Attaching Hinges .....  | 5  |
| Attaching Pipe Sleeves .....                                      | 6  |
| Attaching Floats .....  | 7  |
| <b>Roll-In or Stationary</b> Dock Layout and Frame Assembly ..... | 9  |
| Attaching Pipe Sleeves .....                                      | 10 |
| Attaching Clips .....   | 11 |
| How To Adjust Dock Height .....                                   | 12 |
| Attaching Accessories .....                                       | 13 |

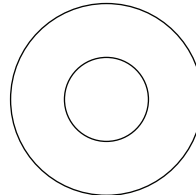
## HARDWARE *(Your Installation may not require the use of everything included)*



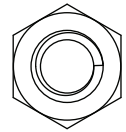
3/8" x 1" hex bolts



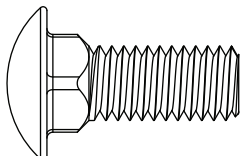
3/8" split lock washers



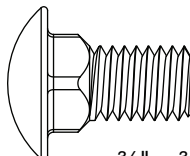
3/8" washers



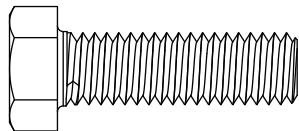
3/8" nuts



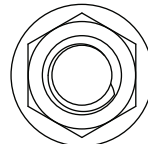
3/8" x 1" carriage bolts



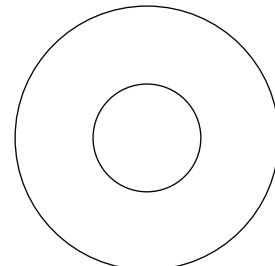
3/8" x 3/4" carriage bolts



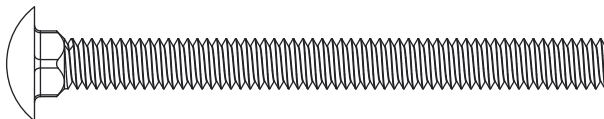
3/8" x 1 1/4" hex bolts



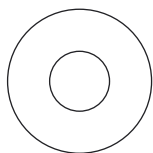
3/8" flange nuts



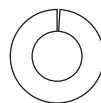
1/2" washers



1/4" x 3" lag screws



1/4" flat washers



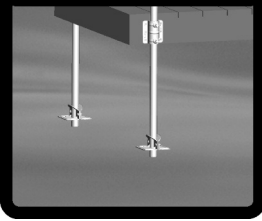
1/4" split washers



1/4" nuts

# CONTENTS PER EACH 4' X 10' SECTION

## Stationary

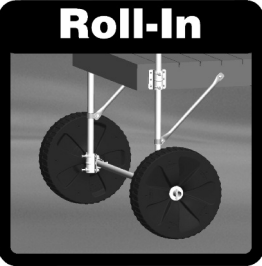


### Components:

- (1) Dock Frame Section
- (2) Foot Plates PS 1023
- (1) Pipe Safety Caps PS 1193
- (4) Connector Clips PS 1021
- (1) Resin Dock Cleat PS 1191
- (2) Pipe Bumper PS 1188
- (1) Bumper PS 1352

- (2) Dock Pipes (1 $\frac{5}{8}$ " O.D. or 1 $\frac{7}{8}$ " O.D.)  
Purchased Separately as length will be determined by your specific water depth.

## Roll-In

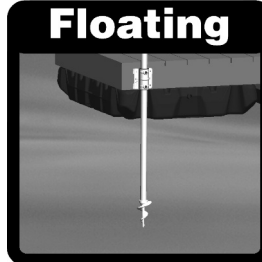


### Components:

- (1) Dock Frame Section
- (1) Roll-In Axle Kit PS 1198
- (2) Wheels PS 1334
- (1) Pipe Safety Caps PS 1193
- (4) Connector Clips PS 1021
- (1) Resin Dock Cleat PS 1191
- (2) Pipe Bumper PS 1188
- (1) Bumper PS 1352

- (3) Dock Pipes (1 $\frac{5}{8}$ " O.D. or 1 $\frac{7}{8}$ " O.D.)  
Purchased Separately as length will be determined by your specific water depth.

## Floating



### Components:

- (1) Dock Frame Section
- (3) Dock Floats PS 1155
- (1) CG Pipe Sleeve PS 1080
- (1) Auger PS 1100
- (1) Pipe Safety Caps PS 1193
- (2) Hinge Kits PS 1070
- (1) Resin Dock Cleat PS 1191
- (2) Pipe Bumper PS 1188
- (1) Bumper PS 1352

- (1) Dock Pipe (1 $\frac{5}{8}$ " O.D. or 1 $\frac{7}{8}$ " O.D.)  
Purchased Separately as length will be determined by your specific water depth.

PlayStar does not recommend mixing different types of support methods.

## TOOLS REQUIRED

Safety Glasses  
Measuring Tape  
Pencil

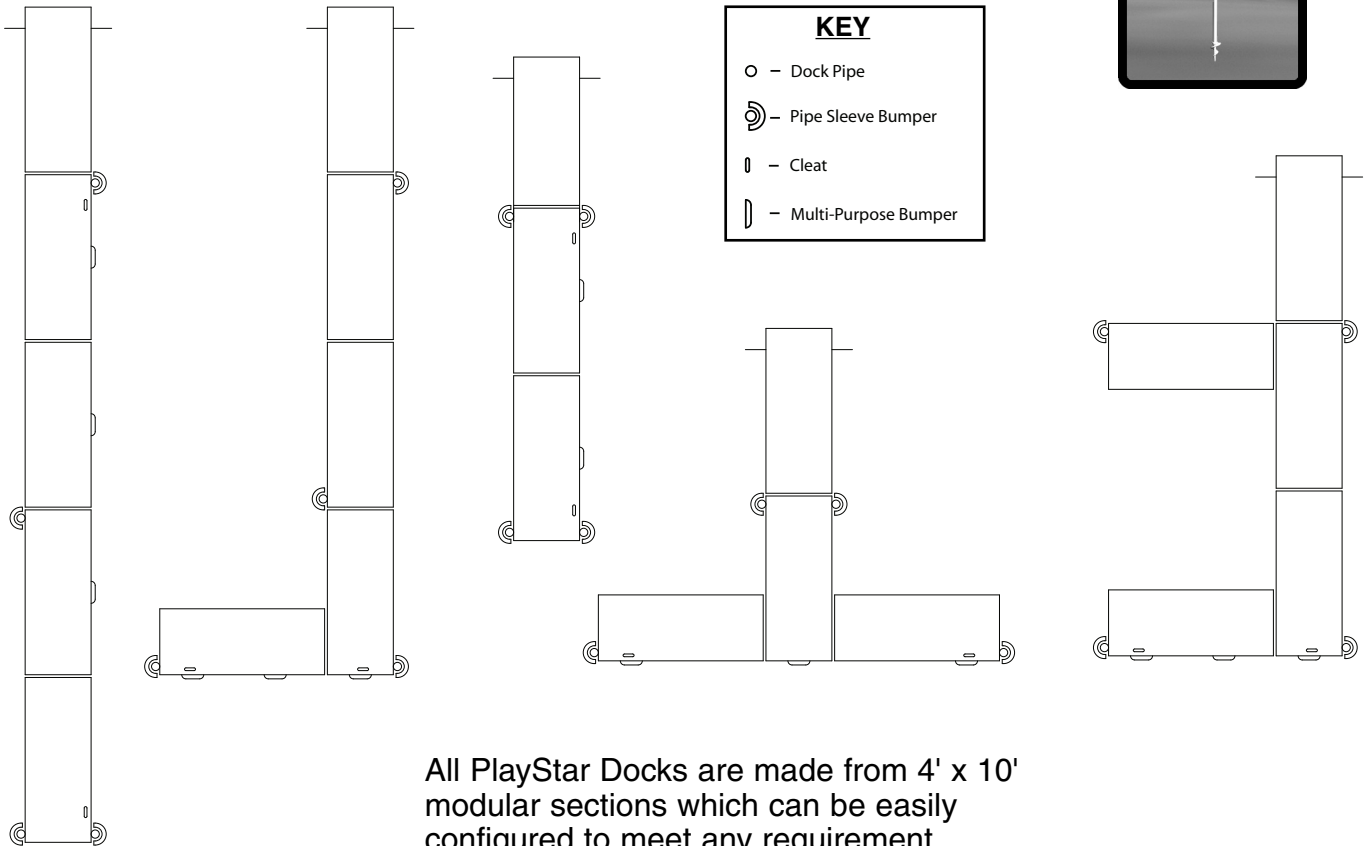
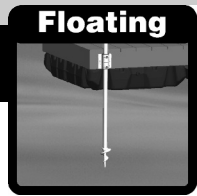
$\frac{9}{16}$ " Socket and Wrench  
 $\frac{7}{16}$ " and  $\frac{9}{16}$ " Combination Wrench

Drill  
 $\frac{1}{8}$ ",  $\frac{1}{4}$ " and  $\frac{3}{8}$ " Drill Bits

**Read All Instructions Thoroughly  
before you begin constuction.**

## **FLOATING DOCK PROJECT STARTS HERE.**

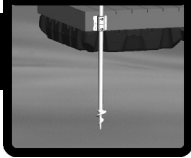
### **DOCK LAYOUT EXAMPLES**



All PlayStar Docks are made from 4' x 10' modular sections which can be easily configured to meet any requirement.

**Please Note: As you configure your dock you will be utilizing hardware that is already fastened to the frame and brackets which helps maintain the integrity of your dock frame during shipping.**

**In order to position pipe sleeves, hinges and connector clips you will be required to remove some hardware and re-assemble accordingly.**

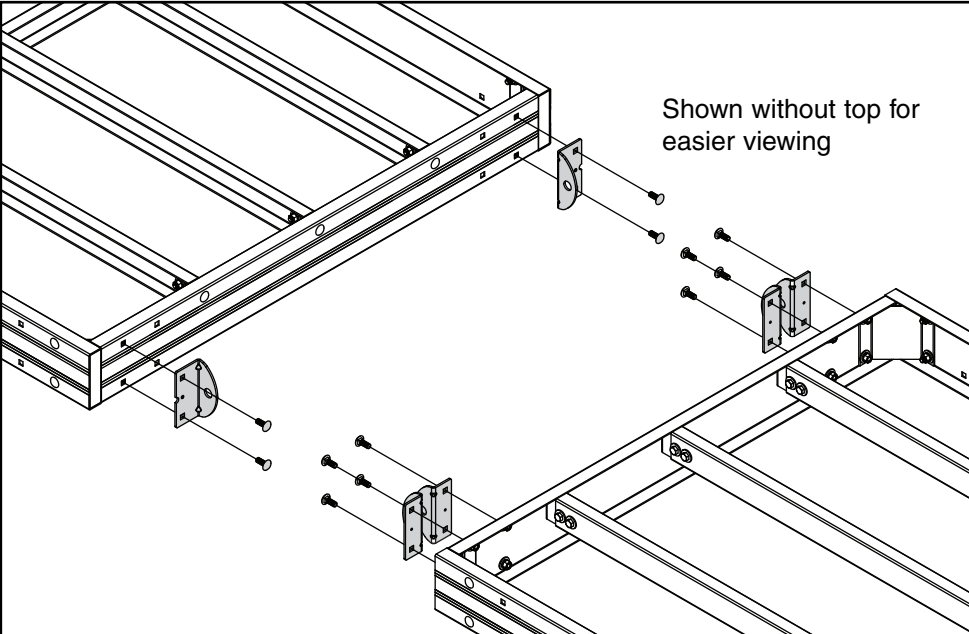


# ATTACHING HINGES

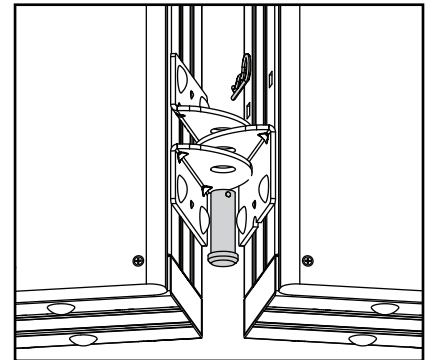
## STRAIGHT CONNECTION

**Refer to your specific project for locations.**

Attach the hinges to the frame utilizing the hardware already securing the corner.  
Position the long hinge (with notch) in each corner of one 4' side of the dock section as shown.



Position short hinges (no notch) pointing down in each corner of one 4' side of the next dock section to be attached.



Connect sections with pin and clip.

**NOTE:**

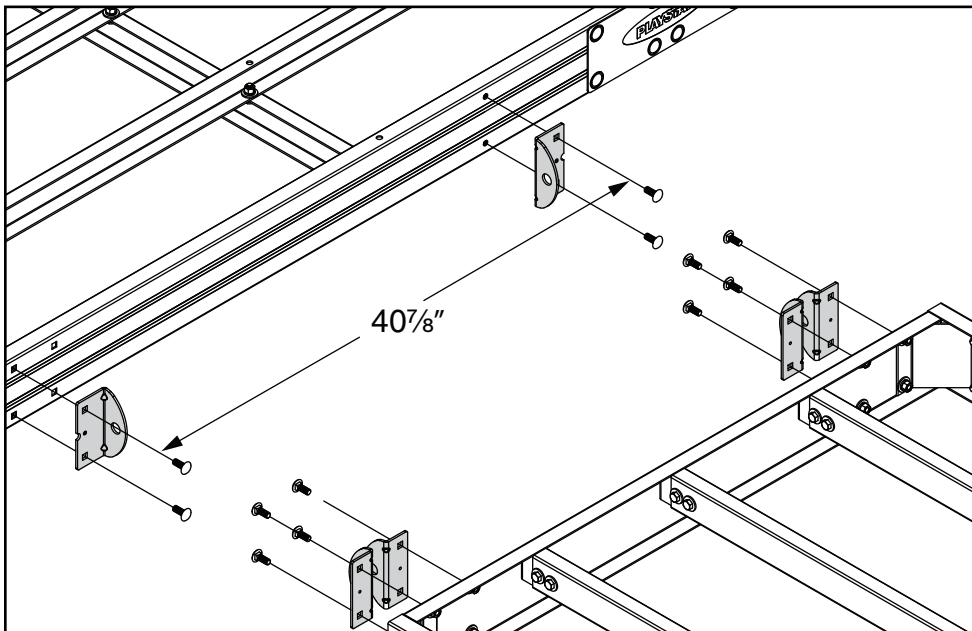
**The short hinge (no notch) half should be attached to the end of the dock section furthest from shore.**

## 90° CONNECTION

**Refer to your specific project for locations.**

Attach a long hinge (with notch) in corner of one 10' side of the dock section as shown utilizing the hardware already securing the corner.

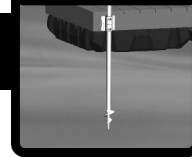
Position second long hinge (with notch) so that the distance of outside mounting holes is 40<sup>7</sup>/<sub>8</sub>" on center as shown.



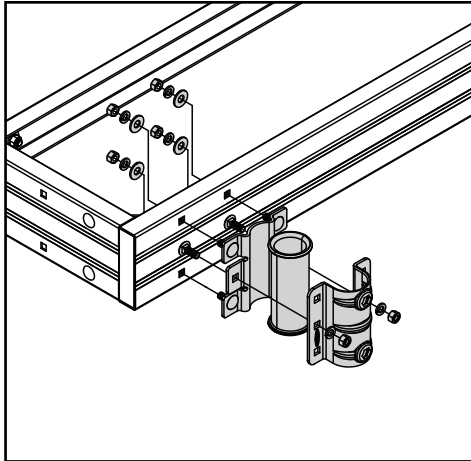
Use the long hinge (with notch) as a drill guide and mark the two hole locations. Drill 1/8" holes through the side of the aluminum frame at the marked locations. Use the 1/8" holes as a drill guide and drill 3/8" holes.

# ATTACHING PIPE SLEEVES

Floating



## COMMERCIAL GRADE PIPE SLEEVE PS 1080 (Floating Only)



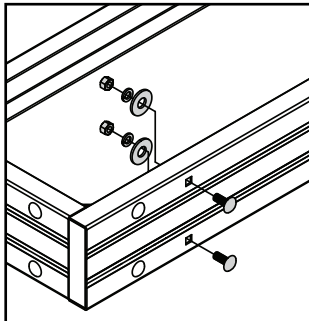
Disassemble the pipe sleeve and fasten the back plate of the pipe sleeve to the frame utilizing hardware already securing the corner. Re-attach the pipe strap and nylon insert to the back plate on the frame as shown.

*Refer to your specific project for locations.*

### Items for **STEP:**

- (8)  $\frac{3}{8}$ " x 1" carriage bolts
- (8)  $\frac{1}{2}$ " flat washers
- (8)  $\frac{3}{8}$ " lock washers
- (8)  $\frac{3}{8}$ " nuts

Install  $\frac{3}{8}$ " x 1" carriage bolts,  $\frac{1}{2}$ " flat washers,  $\frac{3}{8}$ " lock washers and  $\frac{3}{8}$ " nuts into any exposed holes as shown and tighten securely.



**Note:** *If you have an accessory that needs to be bolted into the side of the dock you need to do that now (see accessories pages), you can use these exposed holes for your accessories in place of drilling new holes.*

**Helpful Hint:** *After assembly, the Aluminum Frame can be easily cleaned with a mild solution of soap and water or Non-Abrasive aluminum cleaner.*

# ATTACHING FLOATS

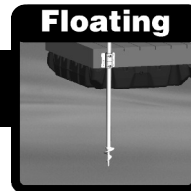
**Items for this STEP:**

Turn the dock over onto a flat surface and mark the 6 float hole locations at dimensions shown.

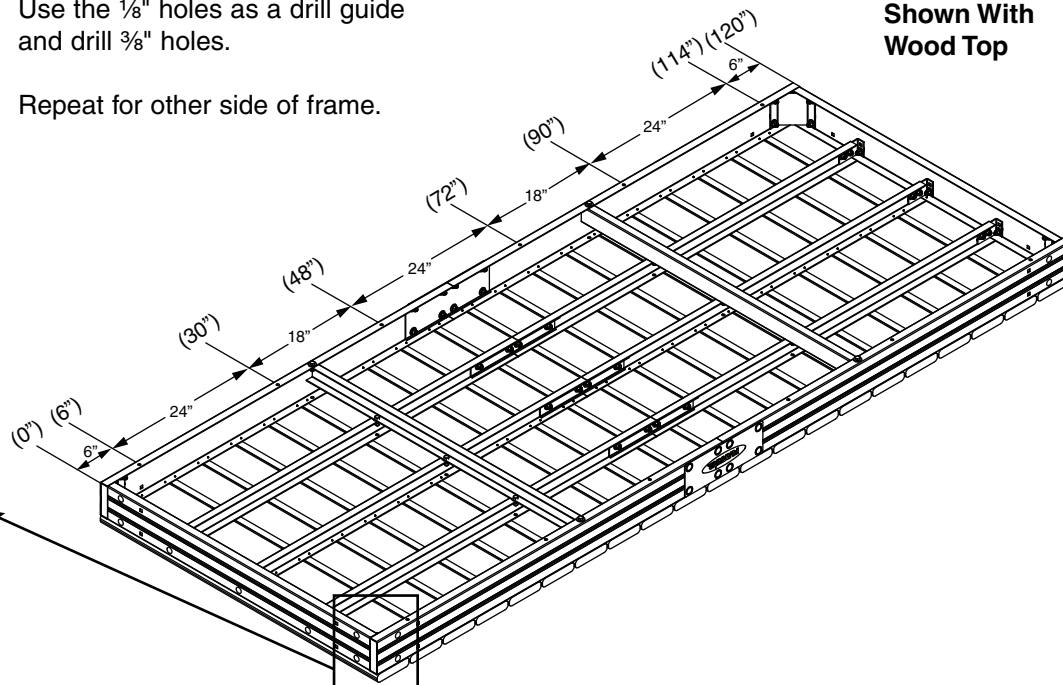
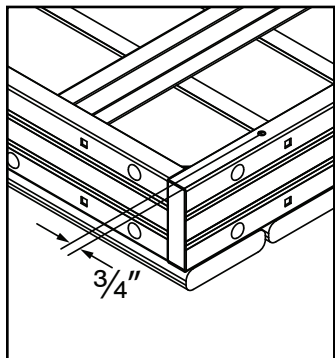
Drill  $\frac{1}{8}$ " holes through the bottom lip of the aluminum frame at the marked locations.

Use the  $\frac{1}{8}$ " holes as a drill guide and drill  $\frac{3}{8}$ " holes.

Repeat for other side of frame.



**Shown With Wood Top**

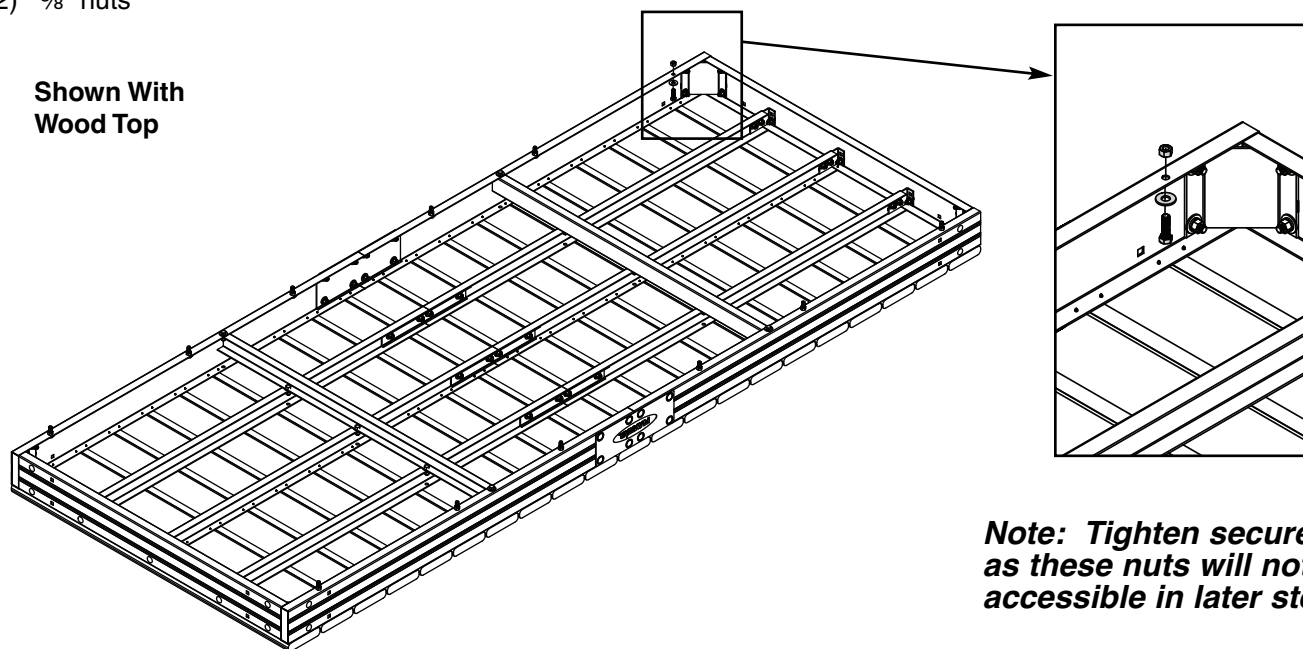


**Items for this STEP:**

- (12)  $\frac{3}{8}$ " x  $1\frac{1}{4}$ " hex bolts
- (12)  $\frac{3}{8}$ " flat washers
- (12)  $\frac{3}{8}$ " nuts

Install  $\frac{3}{8}$ " x  $1\frac{1}{4}$ " hex bolts,  $\frac{3}{8}$ " flat washers and  $\frac{3}{8}$ " nuts at the twelve locations as shown.

**Shown With Wood Top**



**Note: Tighten securely as these nuts will not be accessible in later steps.**

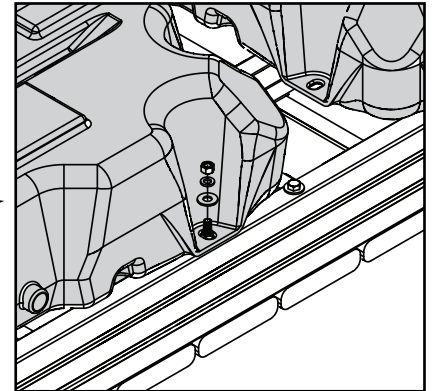
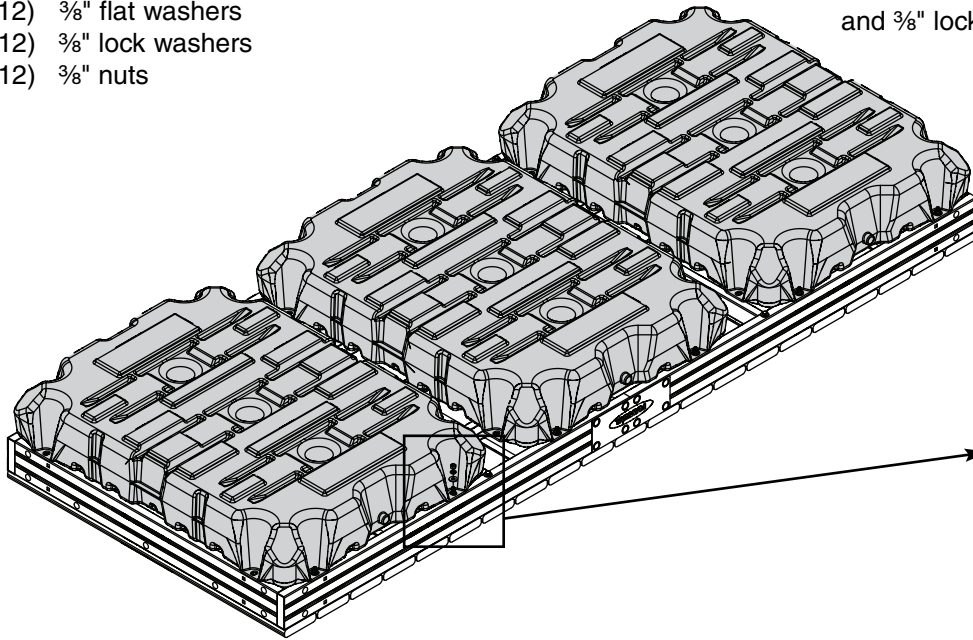
**Items for this STEP:**

- (3) Floats (PS 1155)
- (12) 3/8" flat washers
- (12) 3/8" lock washers
- (12) 3/8" nuts

Position floats as shown. Float holes will fit over bolts installed in previous step.

Secure with 3/8" flat washers, 3/8" lock washers and 3/8" lock nuts as shown.

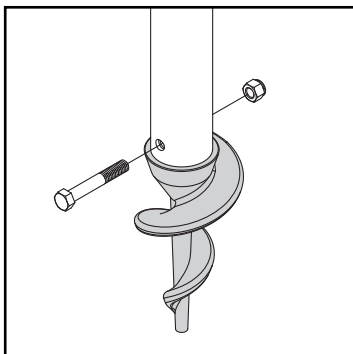
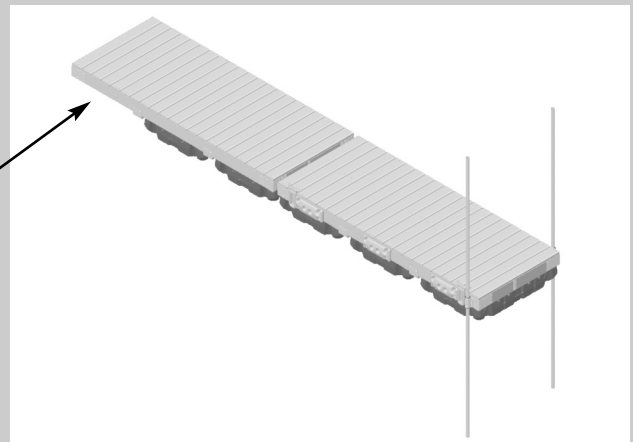
**Note: PlayStar's floats are intended to provide the maximum stability by mounting them with a 4 ft. orientation under the width of the dock.**



**Do not attach a float to the gangplank section closest to shore as shown.**

**The end without the float must rest firmly on land.**

**Refer to your specific project for locations.**



**Refer to your specific project for locations.**

**COMMERCIAL GRADE AUGER**

Drill one 3/8" hole in pipe 1 1/16" up from the end. Insert Auger into the pipe, align holes and finish drilling opposite side. Secure with the nut and bolt provided.

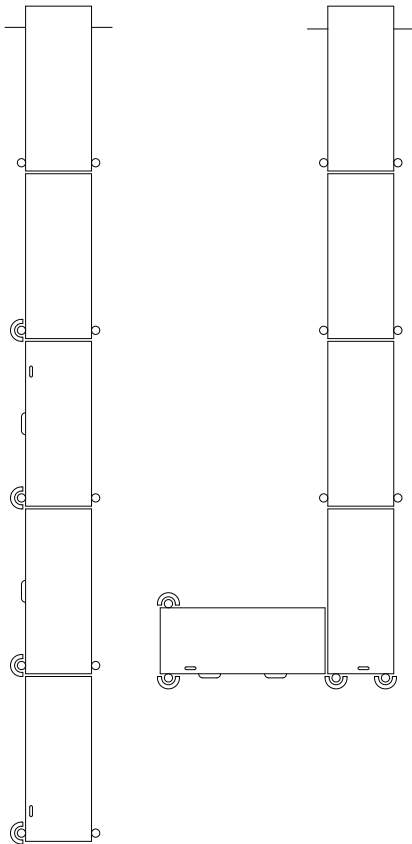
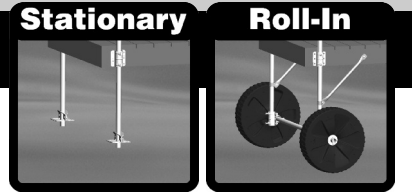
**Note: It is recommended you sink the poles with auger a minimum of two feet into a firm bottom. You can accomplish this with a post pounder or by turning with a pipe wrench**



**Read All Instructions Thoroughly  
before you begin constuction.**

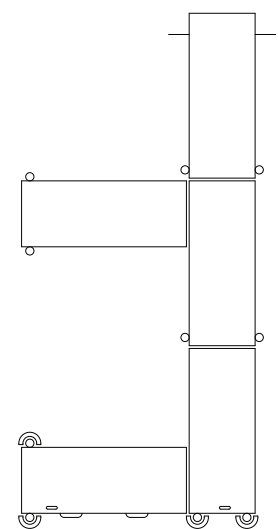
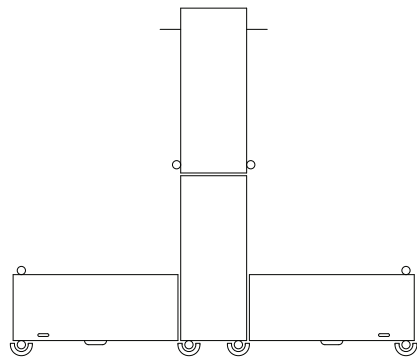
**STATIONARY and ROLL-IN PROJECT STARTS HERE.**

**DOCK LAYOUT EXAMPLES**



**KEY**

- - Dock Pipe
- ⊖ - Pipe Sleeve Bumper
- ⏏ - Cleat
- ⌋ - Multi-Purpose Bumper



All PlayStar Docks are made from 4' x 10' modular sections which can be easily configured to meet any requirement.

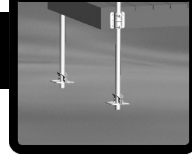
**Note: As you configure your dock you will be utilizing hardware that is already fastened to the frame and brackets which helps maintain the integrity of your dock frame during shipping.**

**In order to position pipe sleeves, hinges and connector clips you will be required to remove some hardware and re-assemble accordingly.**

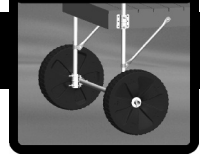
# ATTACHING PIPE SLEEVES

Attach the Pipe Sleeve to the frame Utilizing Hardware already securing the corner.

**Stationary**

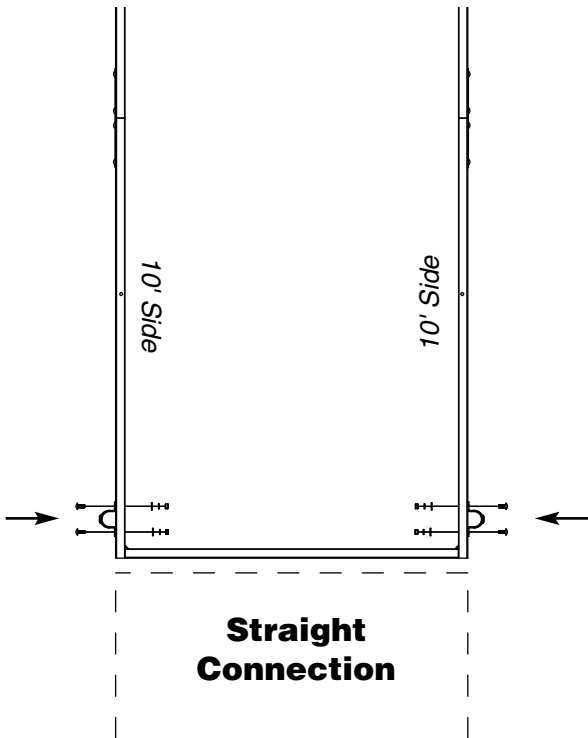
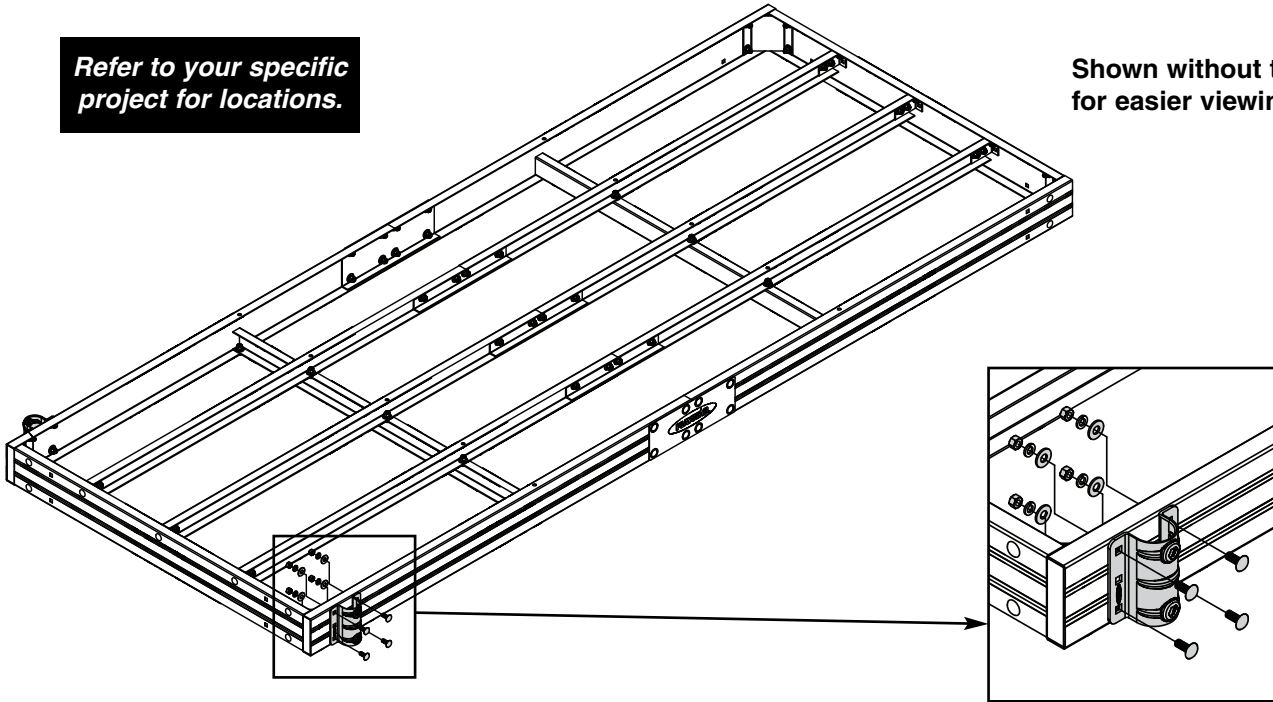


**Roll-In**

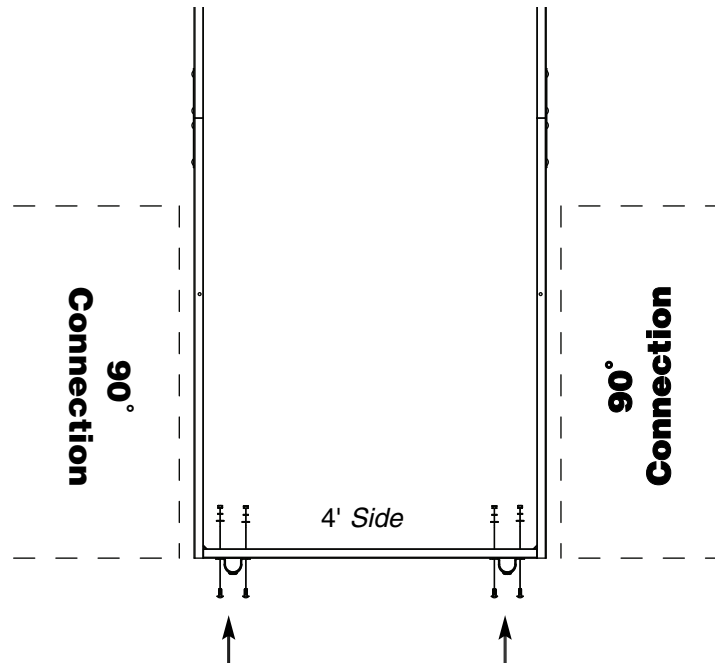


*Refer to your specific project for locations.*

Shown without top for easier viewing.



**NOTE:**  
The pipe sleeves should be attached to the 10' side of the dock for a Straight Connection.



**NOTE:**  
The pipe sleeves should be attached to the 4' side of the dock for a 90° Connection.

# ATTACHING CLIPS

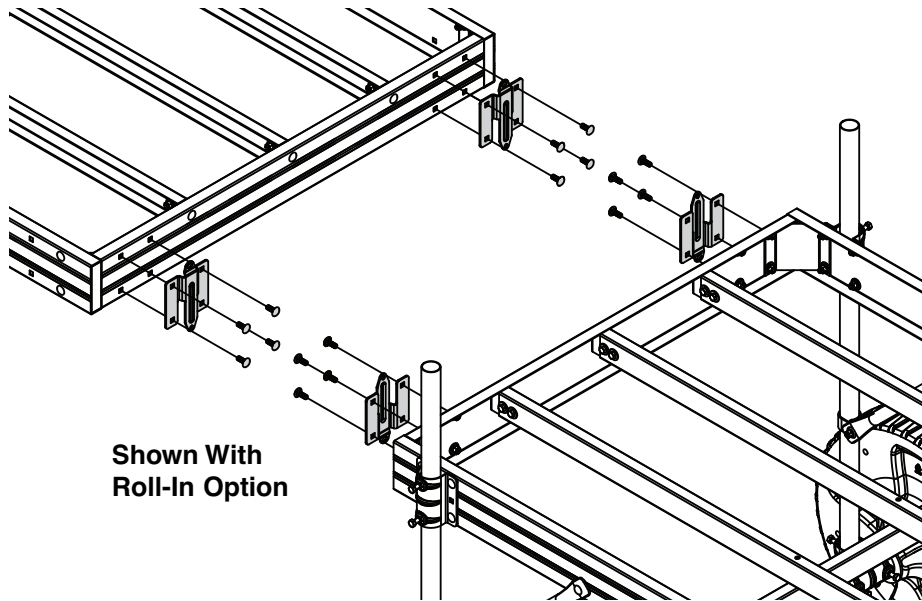
Stationary

Roll-In

## STRAIGHT CONNECTION

Refer to your specific project for locations.

Shown without top for easier viewing.



Shown With Roll-In Option

Attach the clips to the frame Utilizing Hardware already securing the corner.

Position a clip with center tab pointing up in each corner of one 4' side of the dock section with pipes as shown.

Position clips with center tab pointing down in each corner of 4' side of the next dock section to be attached.

### NOTE:

The end of the dock section with posts will always have the clips with center tab pointing up.

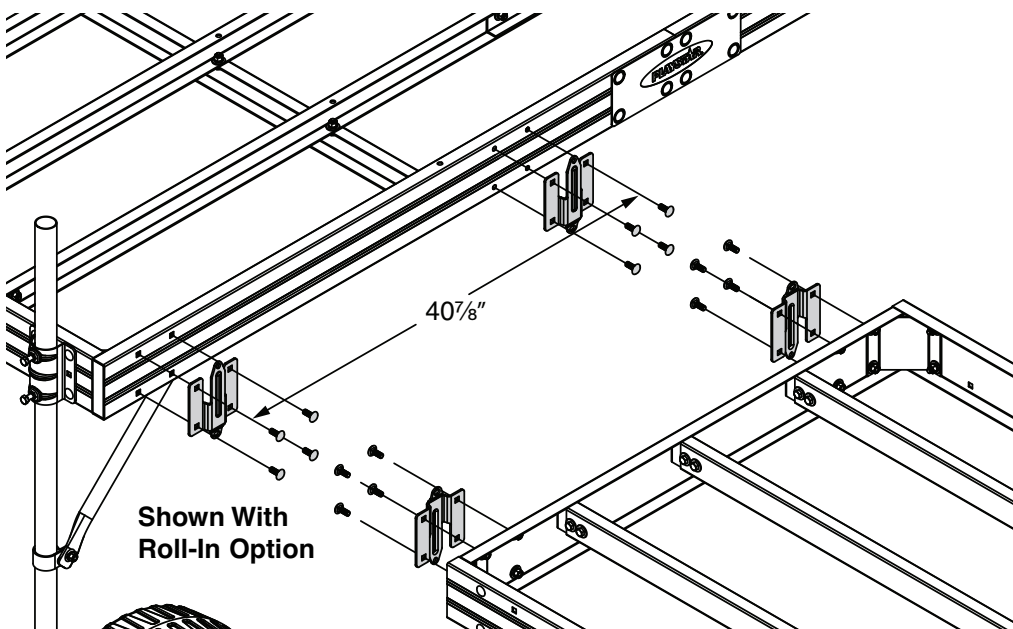
## 90° CONNECTION

Refer to your specific project for locations.

Attach the first clip with center tab pointing up in corner of one 10' side of the dock section as shown. Utilize Hardware already securing the corner.

Position second clip with center tab pointing up so that the distance between the outside mounting holes is  $40\frac{7}{8}$ " on center as shown.

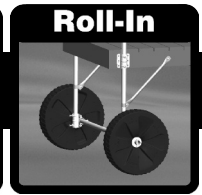
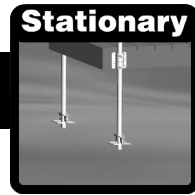
Use the clip as a drill guide and mark the four hole locations. Drill  $\frac{1}{8}$ " holes through the side of the aluminum frame at the marked locations. Use the  $\frac{1}{8}$ " holes as a drill guide and drill  $\frac{3}{8}$ " holes.



Shown With Roll-In Option

Position clips with center tab pointing down in each corner of 4' side of the next dock section to be attached.

# HOW TO ADJUST DOCK HEIGHT



Position two  $\frac{3}{8}$ " flange nuts into pipe sleeve as shown. (Figure 1)

Insert dock pipe into pipe sleeves at desired height. (Figure 2)

Tighten pipe with  $\frac{3}{8}$ " x 1" hex bolt and  $\frac{3}{8}$ " flange nut as shown.

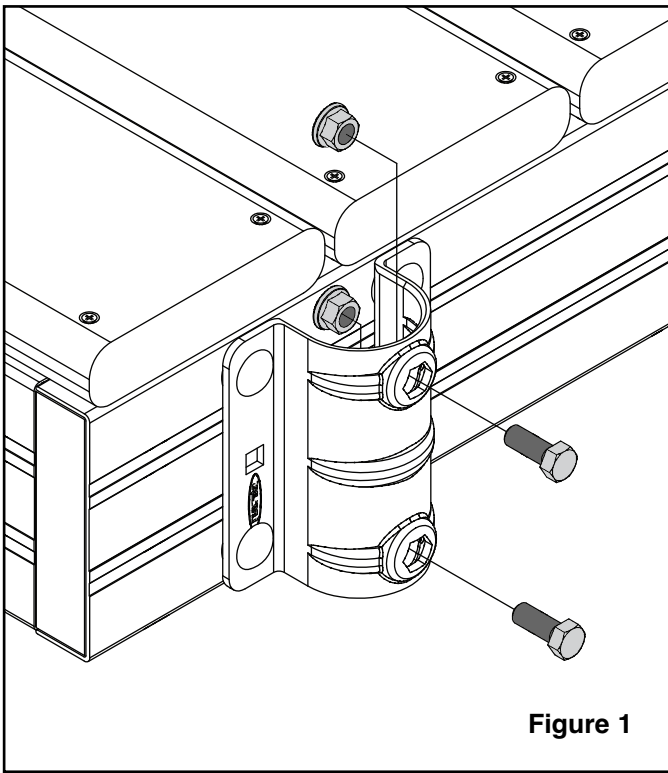


Figure 1

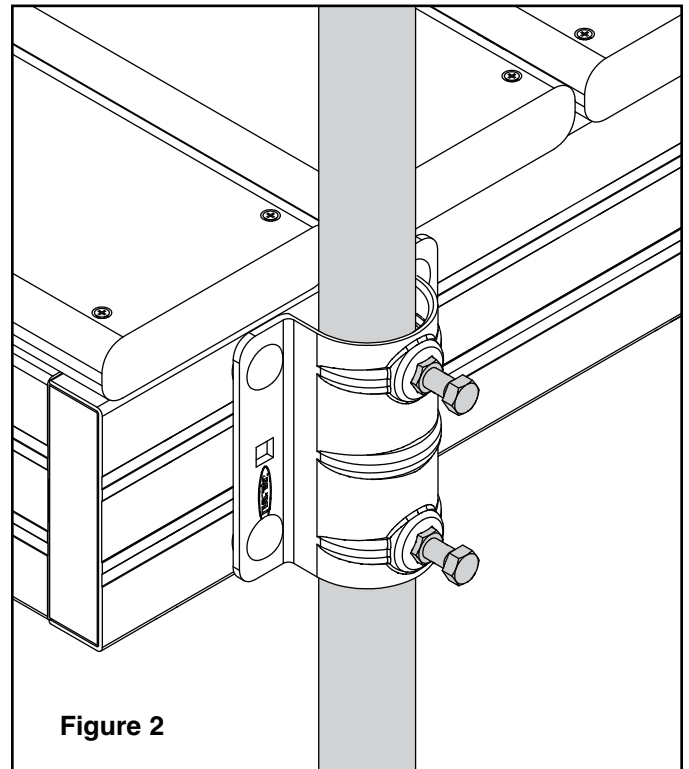
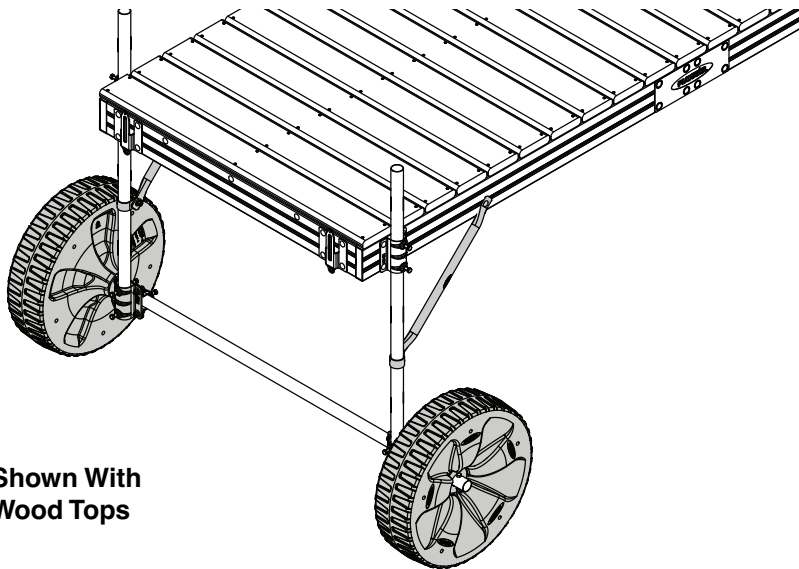
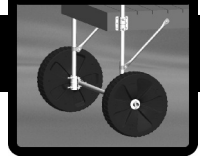


Figure 2

# ROLL-IN OPTION

## Roll-In



Shown With  
Wood Tops

### Items Needed

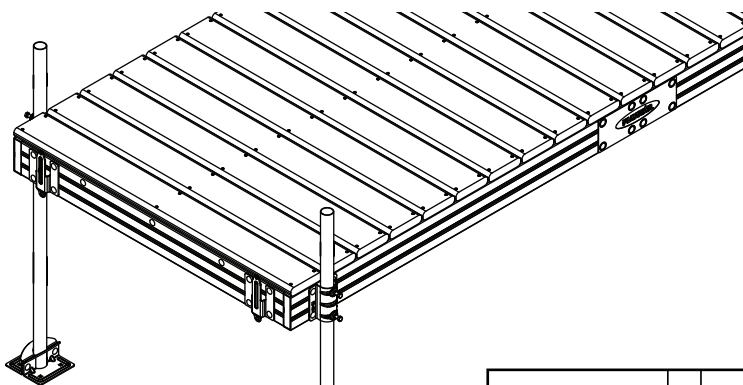
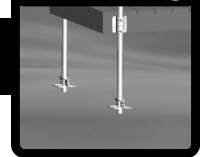
- (1) PS 1198 Dock Wheel Axle Kit
- (2) PS 1334 Dock Wheels
- (3) Dock Pipe (1 $\frac{5}{8}$ " O.D. or 1 $\frac{7}{8}$ " O.D.)  
Purchase Separately

Follow the complete assembly instructions included in your PS 1198 Dock Wheel Axle Kit.

*Note: Dock pipe longer than 8 feet may require additional cross bracing.*

# STATIONARY OPTION

## Stationary



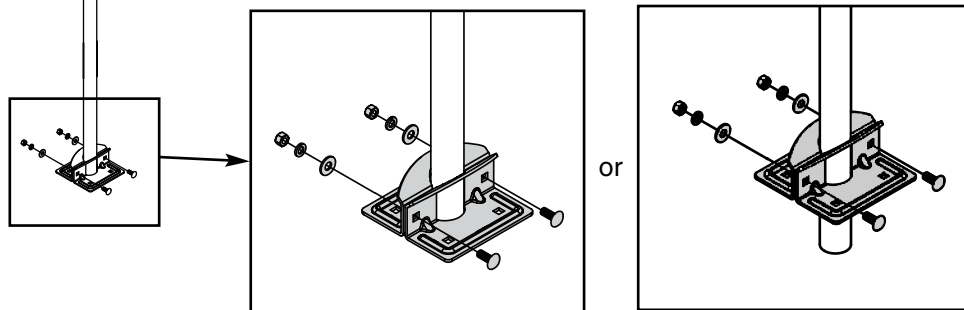
Shown With  
Wood Tops

### Items Needed

- (2) PS 1023 Commercial Grade Foot Plate
- (2) Dock Pipe (1 $\frac{5}{8}$ " O.D. or 1 $\frac{7}{8}$ " O.D.)  
Purchase Separately

Attach foot plate to dock pipe as shown.

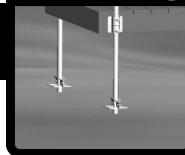
For Additional Support, the pipe can extend below the bottom of the foot plate. This allows the pipe to dig into the surface below.



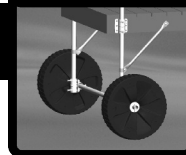
*Note: Dock pipe longer than 8 feet may require additional cross bracing.*

# ATTACHING ACCESSORIES

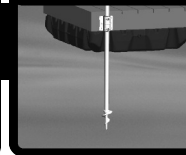
Stationary



Roll-In



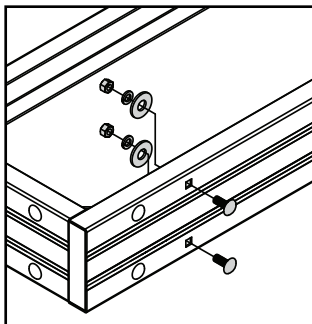
Floating



## Items for STEP:

- (8)  $\frac{3}{8}$ " x 1" carriage bolts
- (8)  $\frac{1}{2}$ " flat washers
- (8)  $\frac{3}{8}$ " lock washers
- (8)  $\frac{3}{8}$ " nuts

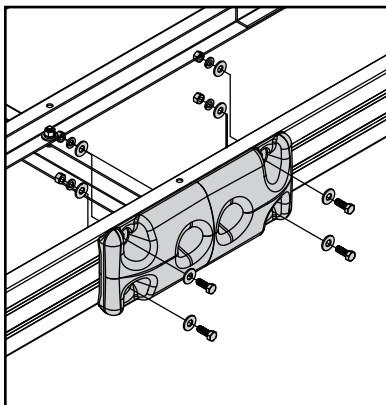
Install  $\frac{3}{8}$ " x 1" carriage bolts,  $\frac{1}{2}$ " flat washers,  $\frac{3}{8}$ " lock washers and  $\frac{3}{8}$ " nuts into any exposed holes as shown and tighten securely.



**Note:** If you have an accessory that needs to be bolted into the side of the dock you can use these exposed holes for your accessories in place of drilling new holes.

**Helpful Hint:** After assembly, the Aluminum Frame can be easily cleaned with a mild solution of soap and water or Non-Abrasive aluminum cleaner.

## MULTI-PURPOSE BUMPER PS 1352

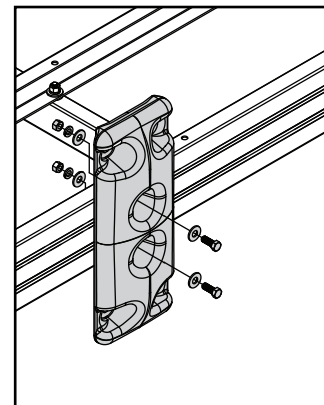


**Horizontal**

Position the bumper in desired location. (For ease of assembly, you can position the bumper where you have exposed holes.)

Use the bumper as a drill guide and mark the four hole locations for horizontal mounting or two hole locations for vertical mounting. Drill  $\frac{1}{8}$ " holes through the side of the aluminum frame at the marked locations. Use the  $\frac{1}{8}$ " holes as a drill guide and drill  $\frac{3}{8}$ " holes.

Secure with  $\frac{3}{8}$ " x 1" hex bolts,  $\frac{3}{8}$ " flat washers,  $\frac{3}{8}$ " lock washers and  $\frac{3}{8}$ " nuts.



**Vertical**

**Refer to your specific project for locations.**

## **PIPE SLEEVE BUMPER PS 1188**

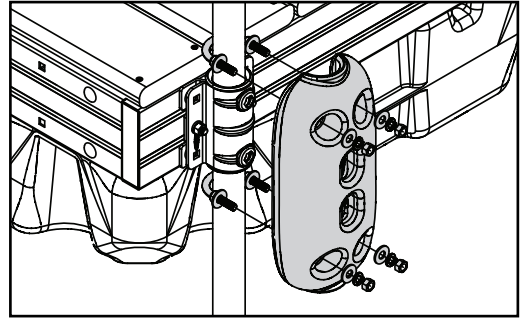
(Hardware provided)

Install two  $\frac{3}{8}$ " nuts and  $\frac{3}{8}$ " flat washers on each U-bolt as shown.

Attach the pipe sleeve bumper to the U-bolts around the pipe sleeve.

Secure with  $\frac{3}{8}$ " flat washers,  $\frac{3}{8}$ " lock washers and  $\frac{3}{8}$ " nuts.

***Refer to your specific project for locations.***



**Shown On Floating Dock**

## **RESIN DOCK CLEAT 8" PS 1191**

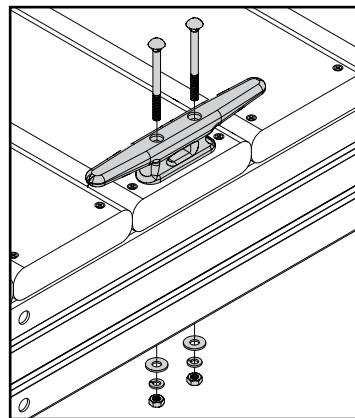
(Hardware provided)

Position cleat in desired location.

Use the cleat as a drill guide and drill two  $\frac{1}{4}$ " holes.

Secure with  $\frac{1}{4}$ " x 3" carriage bolts,  $\frac{1}{4}$ " flat washers,  $\frac{1}{4}$ " split washers and  $\frac{1}{4}$ " nuts.

***Refer to your specific project for locations.***



**Shown On Wood Top**

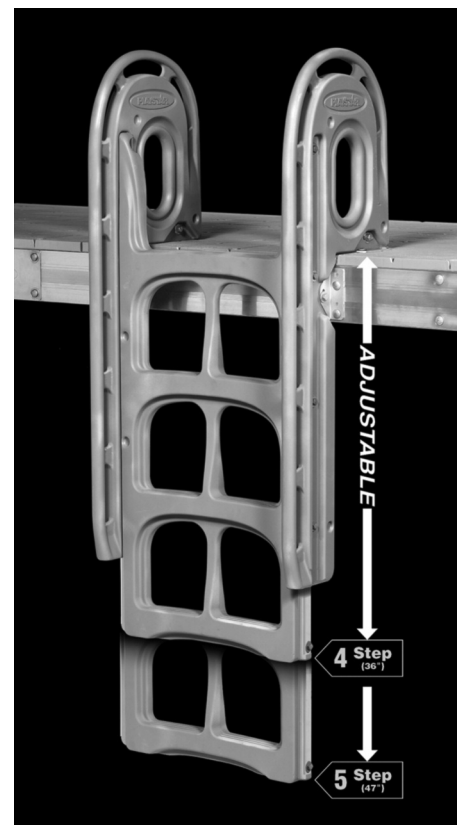
## **RESIN DOCK LADDER PS 1605**

(Purchase Separately)

Safe, easy way to climb onto your dock from the water.

Adjustable to 36" or 47" length.

Instructions packaged with ladder.



**T**hank You for choosing PlayStar. Because it is our intention to make this a positive family experience, we have taken great care in preparing this product. Should you have any questions, or if we can assist you in any way, please call our friendly Customer Service Department for immediate action.

Do not return to the store.

**Please call us Toll Free at 1-888-PLAYSTAR**  
(752-9782)

Monday through Friday, 8:00 A.M. to 5:00 P.M. C.S.T.

Ask for Customer Service.

**We Will Gladly Help!**



PlayStar, Incorporated, Janesville, WI 53547

© 2015, PlayStar, Inc. Reproduction of this document in part or whole is prohibited without the permission of PlayStar, Inc.

Patents Pending or Protected by one or more of the following United States or Foreign Patents: US 6,098,564; US 6,145,463; US 7,153,064; CA 2,270,012; CA 2,261,438